

SECURITY & ANTI-LIGATURE PRODUCTS



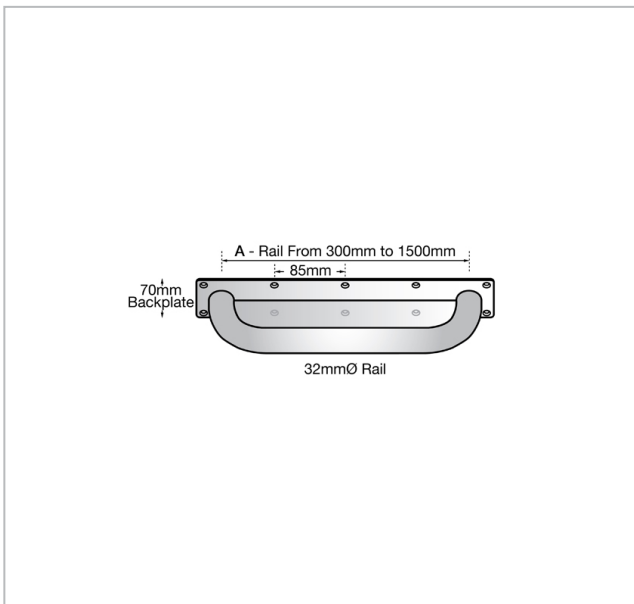
ML327AL-ML336AL_ Anti-Ligature Straight Grab Rail

SPECIFICATIONS

Material	#304 Stainless Steel - 32mmØ 2.0mm Thick Stainless Steel InFill Plate
Finish	Satin Stainless Steel
Mounting	Screw Fix - Multiple Points
Specify	ML327_AL - 300mm C to C ML331_AL - 600mm C to C ML332_AL - 750mm C to C ML333_AL - 900mm C to C ML336_AL - 1500mm C to C

Related Video [Stainless Steel Cleaning & Maintenance](#)

SUITABLE APPLICATIONS



The photographs and line drawings of the products presented above are representational only.
 Metlam Australia Pty Ltd reserves the right to, and from time to time, make changes and improvements in design and dimensions.